



EU DECLARATION OF CONFORMITY  
*DECLARACIÓN UE DE CONFORMIDAD*

www.basor.com



The company / *La Empresa:*

**BASOR ELECTRIC, S.A.**

Address / *Dirección:*

Av. Alcodar, 45-47, 46700. Gandía (VLC), Spain.

Declares that the product:

*Declara que el producto:*

**BASORFIL BFR**

Installed in accordance to the installation standards, manufacturer's instructions and professional rules, duly maintained and used for the applications as intended.

*Instalado de acuerdo con las normas de instalación, instrucciones del fabricante y conforme a las reglas profesionales, debidamente mantenido y utilizado en las aplicaciones para las que está previsto.*

Complies with the essential requirements of the Council Directives:

*Cumple con los requisitos esenciales de las Directivas del Consejo:*

**2014/35/UE (Low Voltage Directive) / (Directiva de Baja Tensión)**

Incorporated in the Spanish Legislation in: R.D. 187/2016.

*Incorporado en la Legislación Española en: R.D. 187/2016.*

And it is suitable and safe for the intended use and it is in conformity with the following standard:

*Es adecuado y seguro para el uso a que está destinado y es conforme con la siguiente norma:*

**UNE EN 61537**

Additional information:

*Información adicional:*

This product is intended to be installed and maintained by skilled persons, it may be used by ordinary persons only as a replacement part, to substitute for an identical device.

*Este producto está previsto para ser instalado y mantenido por un profesional, puede ser usado por una persona no formada para reemplazamiento de uno idéntico.*

Place and date:

*Lugar y fecha:*

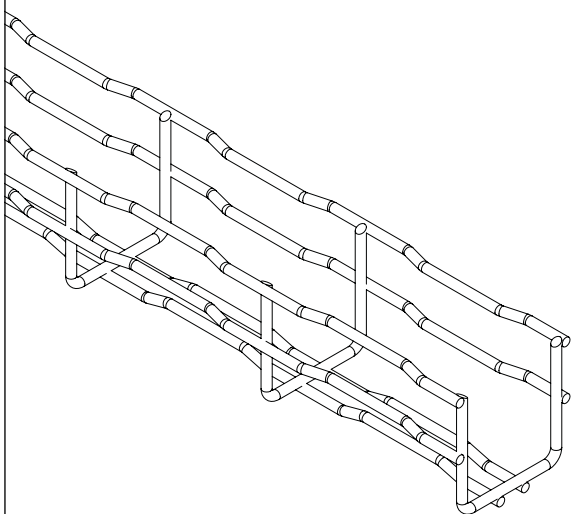
Gandía May 2016

*Gandía Mayo 2016*

Technical department / *Departamento Técnico*



**BFR 60x65-2F**



Models (BxH):

60x65.

Finishes: EZ, HDG.

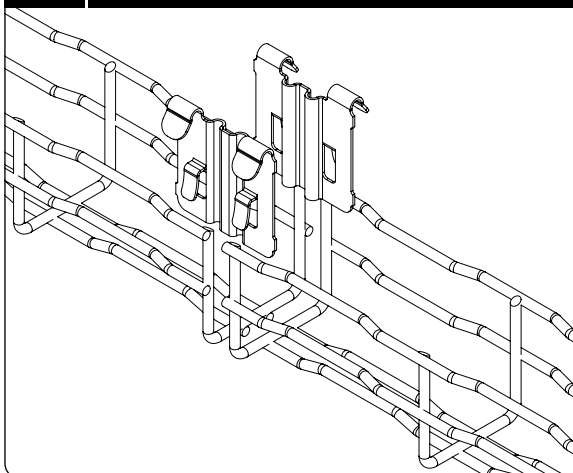
Characteristics of the cable tray:

- Metallic
- Non flame propagating component
- System with electrical continuity
- Electrically conductive component
- Minimum temperature of -50 °C
- Maximum temperature of 150 °Cv
- With metallic coating, resistance to corrosion:  
EZ coating: class 3                      HDG coating: class 7
- Impact strength: 20J
- Comply with RoHS, 2011/65/UE

Classification acc. to the free base area:

Base Models	Classification
60	X

**MOUNTING INSTRUCTIONS**

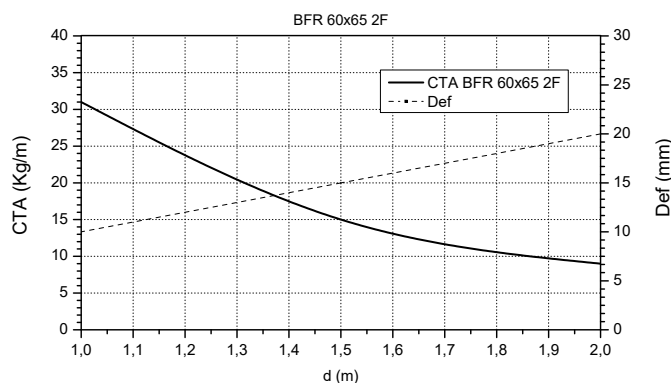


- To assembly two trays a quick splice plate URBF is used on each side, with no need of screws.
- Instead the URBF, two clamp sets CGBF can be used.
- The tray can be mounted directly to horizontal supports by BF screws or to the ground with a M6 block and staples BF.
- Tray installation for an electrical system should NOT run under other types of canalisations such as water, vapour or gas.
- For an easier manipulation of cables, we recommend installing the trays with a distance between them of 250 mm.
- Trays which are placed on supports shall have to keep a gap of 20 mm (4/5") from the wall to allow for a proper ventilation of the cables.
- Is recommended to install the union joints between L/4 to L/5 of the distance between supports.

Accessories:

This product family has a wide range of accessories: Cover, divider PS, drop out plate BJC.  
Union acc.: URBF Quick Joint, CGBF Bolt&Staple Set, ULA Set, TBF Bolt Set and MU multiunion plate.  
Support acc.: SSC, SL D, SL S, Universal Box Support SUC, mini Universal Box Support MINI SUC.

**SAFE WORKING LOAD**



This technical data sheet issued accordingly to the fulfillment of the product Standard, is itself a necessary analyses of the electric risks according to the low tension Directive 2014/35/UE of February 26th 2014, in effect from May 20th 2016